

ORBEA

BLUE PAPERS

WILD HT BOSCH

TECHNICAL MANUAL

INDEX

WILD HT BOSCH

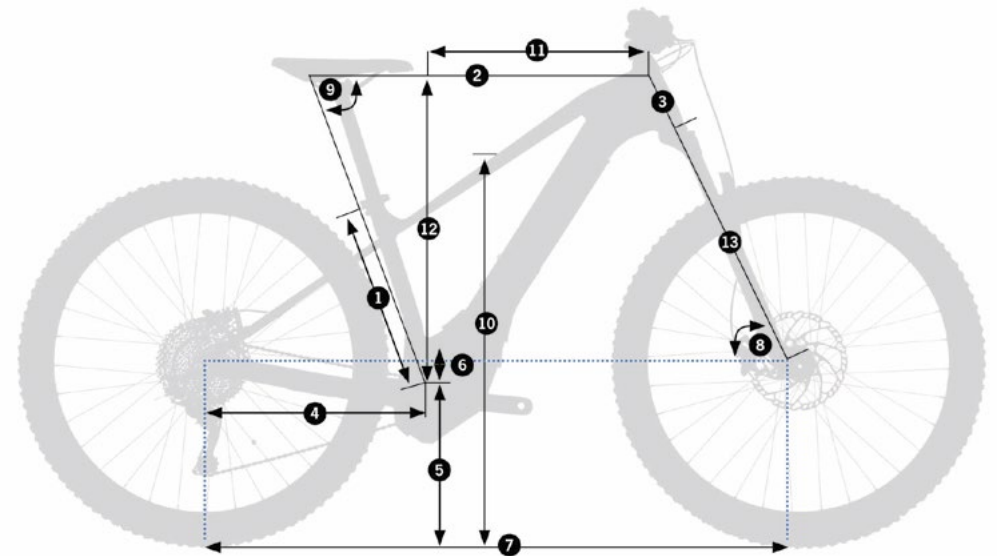
GEOMETRY AND ERGONOMY	2
SPECIFICATIONS	3
COMPATIBILITIES	4
PARTS AND HARDWARE	5
CABLE ROUTING	12
FRAME AND MATERIAL	13
ORBEA WARRANTY	14
ADDITIONAL INFORMATION	15

GEOMETRY

DESCRIPTION	S	M	L	XL
1. Seat tube (C-T)	390	390	415	440
2. Top tube (EFF)	575	595	624	653
3. Head tube	115	130	145	160
4. Chain stay		470		
5. BB drop		63		
6. BB height				
7. Wheel base	1139	1160	1190	1221
8. Head angle		67°		
9. Seat angle		72,5°		
10. Fork offset – Rake		51		
11. Standover height	798	805	816	826
12. Reach	375	390	415	440
13. Stack	364	647	661	675
14. Fork length		527 [FORK 120MM]		

ERGONOMY

HEIGHT (cm)	HEIGHT (in)	SIZE
155-170	61-67	S
165-185	65-73	M
>180	>71	L



SPECIFICATIONS

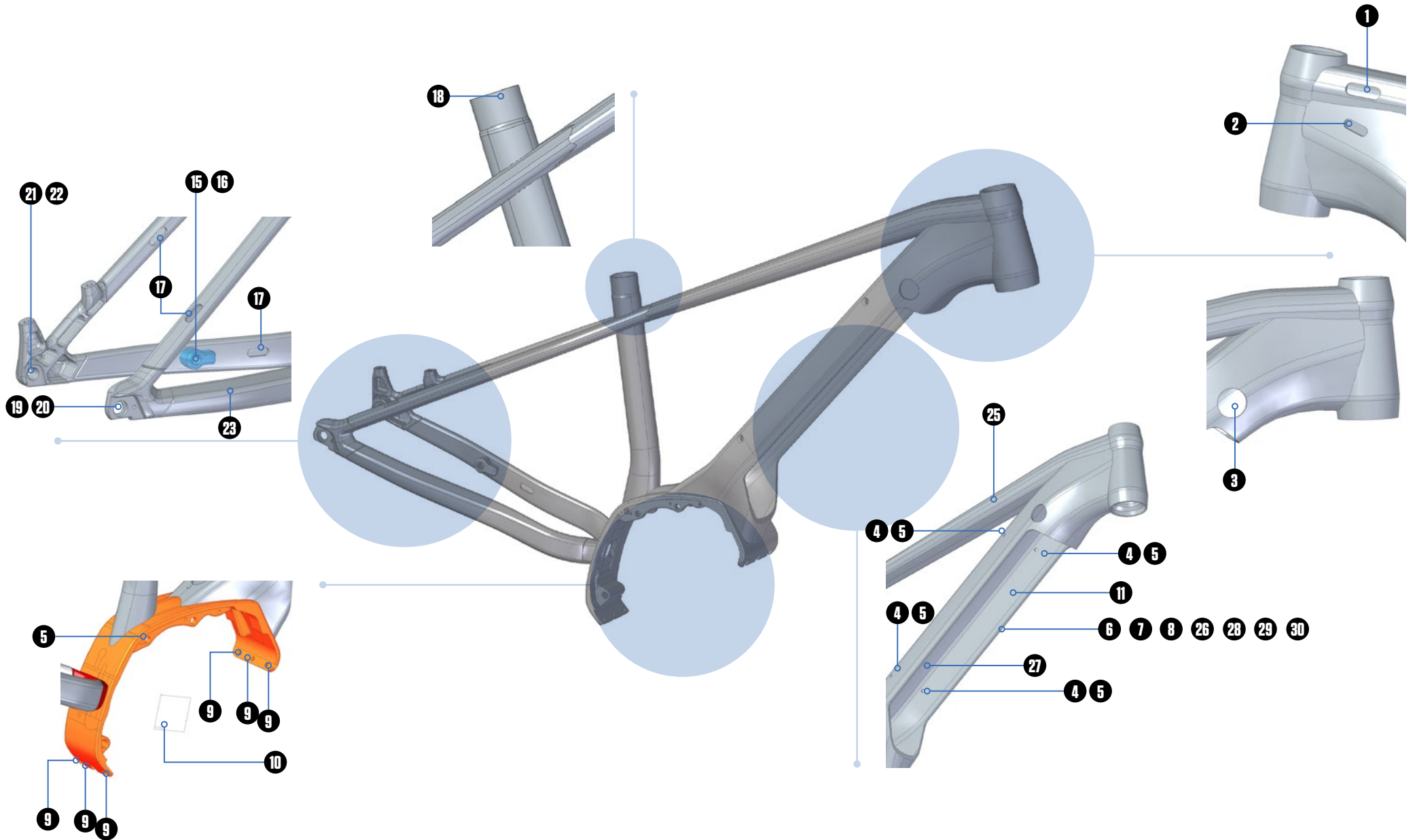
RIM	27,5 AND 29
BB	MOTOR BOSCH IG2
ISCG	NO
FORK	120 MM
SHOCK SIZE	-----
SUSPENSION TRAVEL	-----
SHOCK MOUNTING HARDWARE	-----
SEATPOST DIAMETER	31,6 MM
SEAT CLAMP DIAMETER	35 MM
FRONT DERAILLEUR	NO,FD. SINGLE FRONT CHAINRING
HEAD SET	[1-1/8",45°/45° UPPER_ 1,5",36°/45° LOWER] SPECS: FSA ORBIT C-40 (NO.42) INTEGRATED
REAR AXLE STANDARD	BOOST 12X148
MAX TIRE SIZE 27"	3,0" (TIRE SIZE VARIES BY BRAND, SOME MAY NOT FIT)
MAX TIRE SIZE 29"	2,4" (TIRE SIZE VARIES BY BRAND, SOME MAY NOT FIT)
CRANKSET	177 MM Q FACTOR COMPATIBLE (CENTER TO INSIDE OF CRANK R/L; 72,6MM/72,6MM)
CHAINRINGS	1X: 38T MAX
CHAIN LINE	53MM
MOTOR	BOSCH GENERATION 2

FRONT DERAILLEUR	NO
FRONT DERAILLEUR TP/DP	NO
FD ANGLE	NO
CHAINSTAY PROTECTOR	11000410-PROT BASE WILD HT BOSCH 18
OTHER PROTECTORS	NO
CABLE TYPE	FULL HOUSING / INTERNAL
REAR HUB LENGHT	148

COMPATIBILITIES

BRAKE	V-BRAKE	NO
	DISC BRAKE	160 PM, 180 COMPATIBLE
	CALIPER BRAKE	NO
LUGGAGE	BAG OPTION IN TOP TUBE	NO
	BOTTLE CAGE	YES- DOWNTUBE
	OPTION AERO AND STANDARD BOTTLE	NO
	REAR LUGGAGE OPTION	NO
	MUDGUARD OPTION	NO
	KICKSTAND	NO
GEARS	11 & 12 SPEED MTB	YES
	DOUBLE CRANK SET	NO
	COMPACT CRANK (34X50T) (ROAD)	NO
	TRIPLE CRANK SET	NO
	OXYMETRIC	NO

PARTS & HARDWARE



PARTS & HARDWARE



10



1



2



17



3



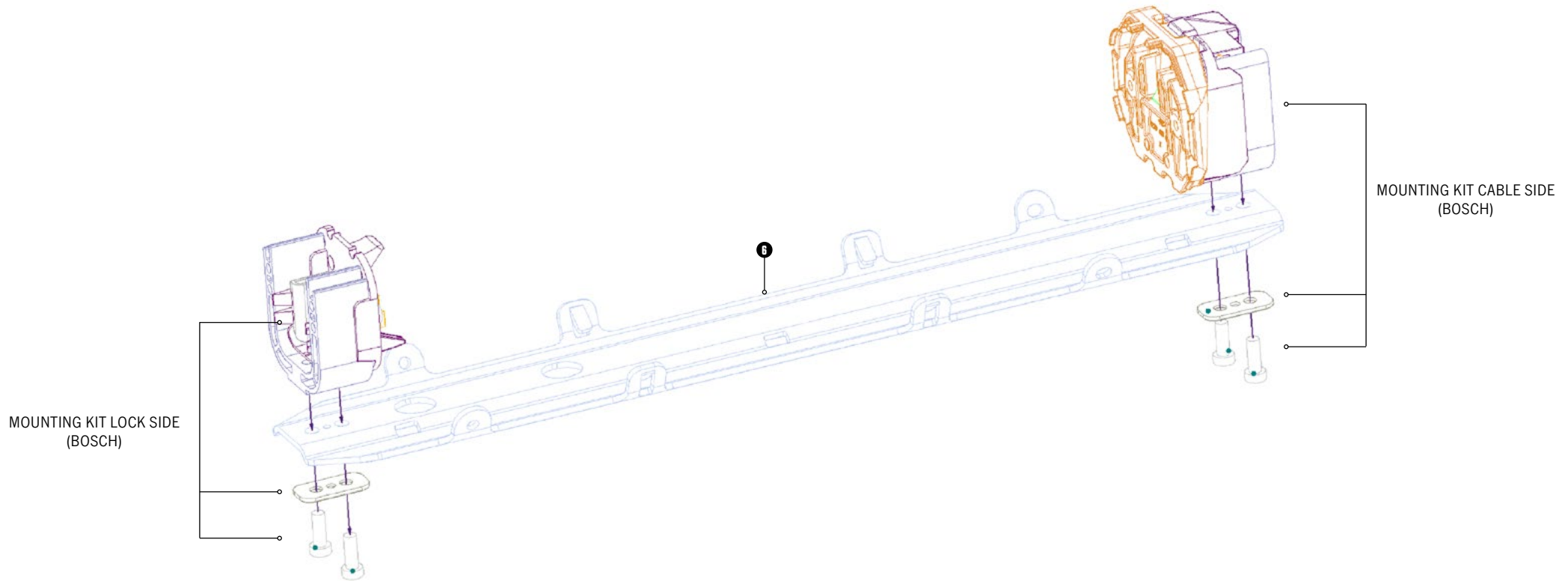
6



19

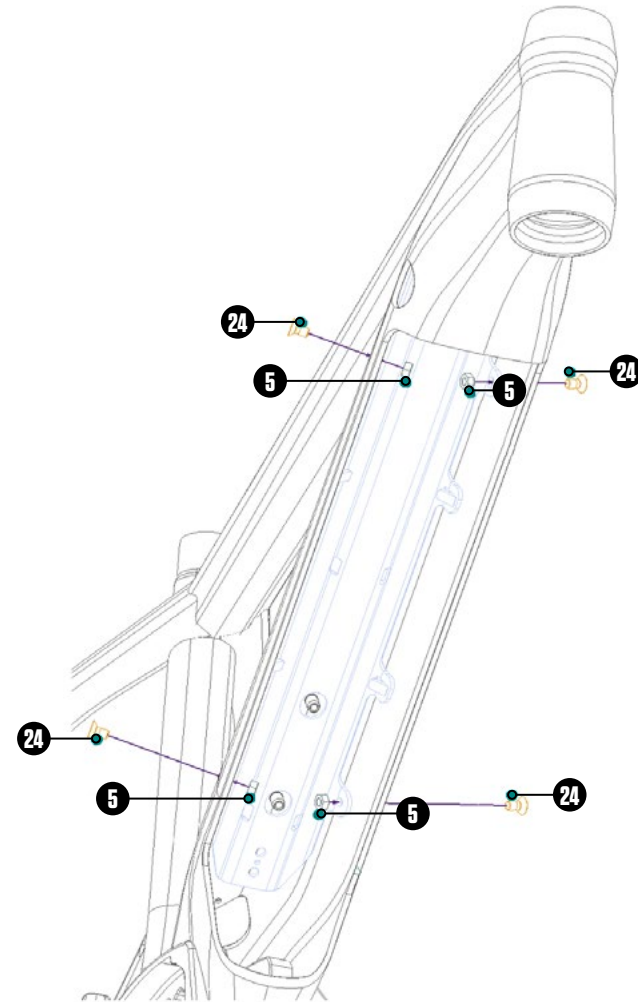
PARTS & HARDWARE

BATTERY SUPPORT



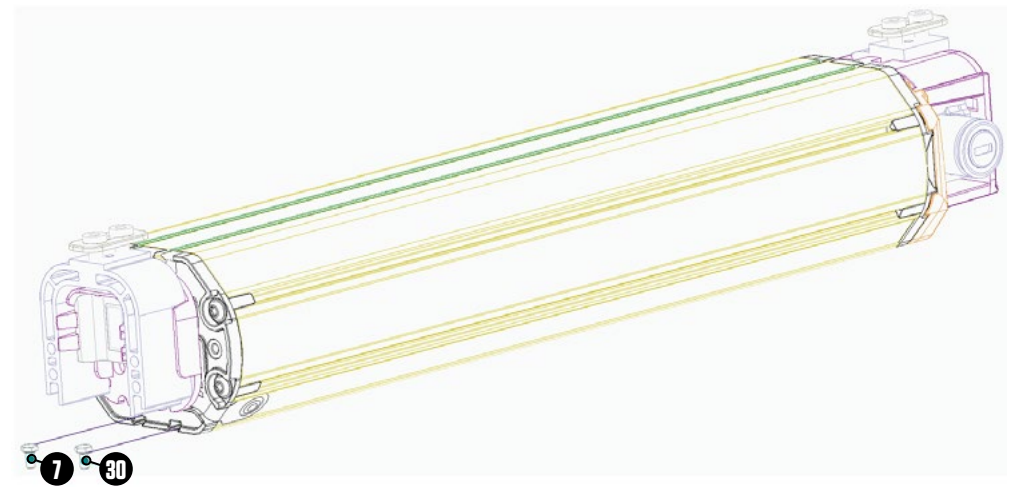
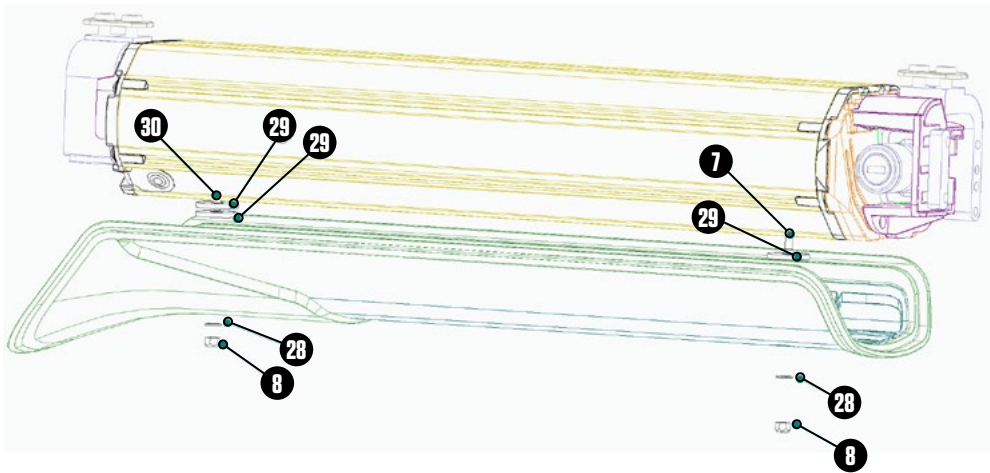
PARTS & HARDWARE

BATTERY SUPPORT



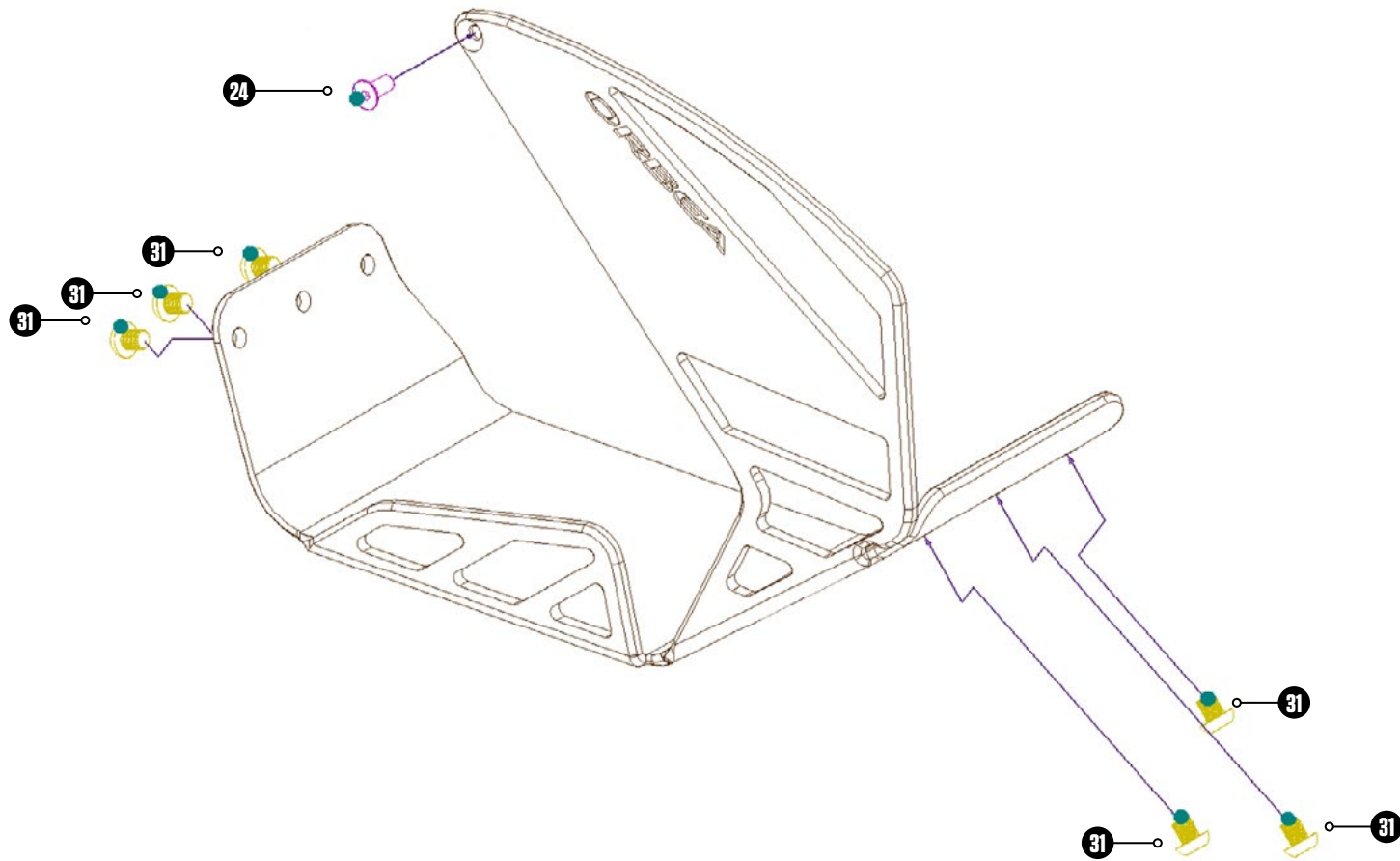
PARTS & HARDWARE

BATTERY COVER



PARTS & HARDWARE

MOTOR PROTECTOR

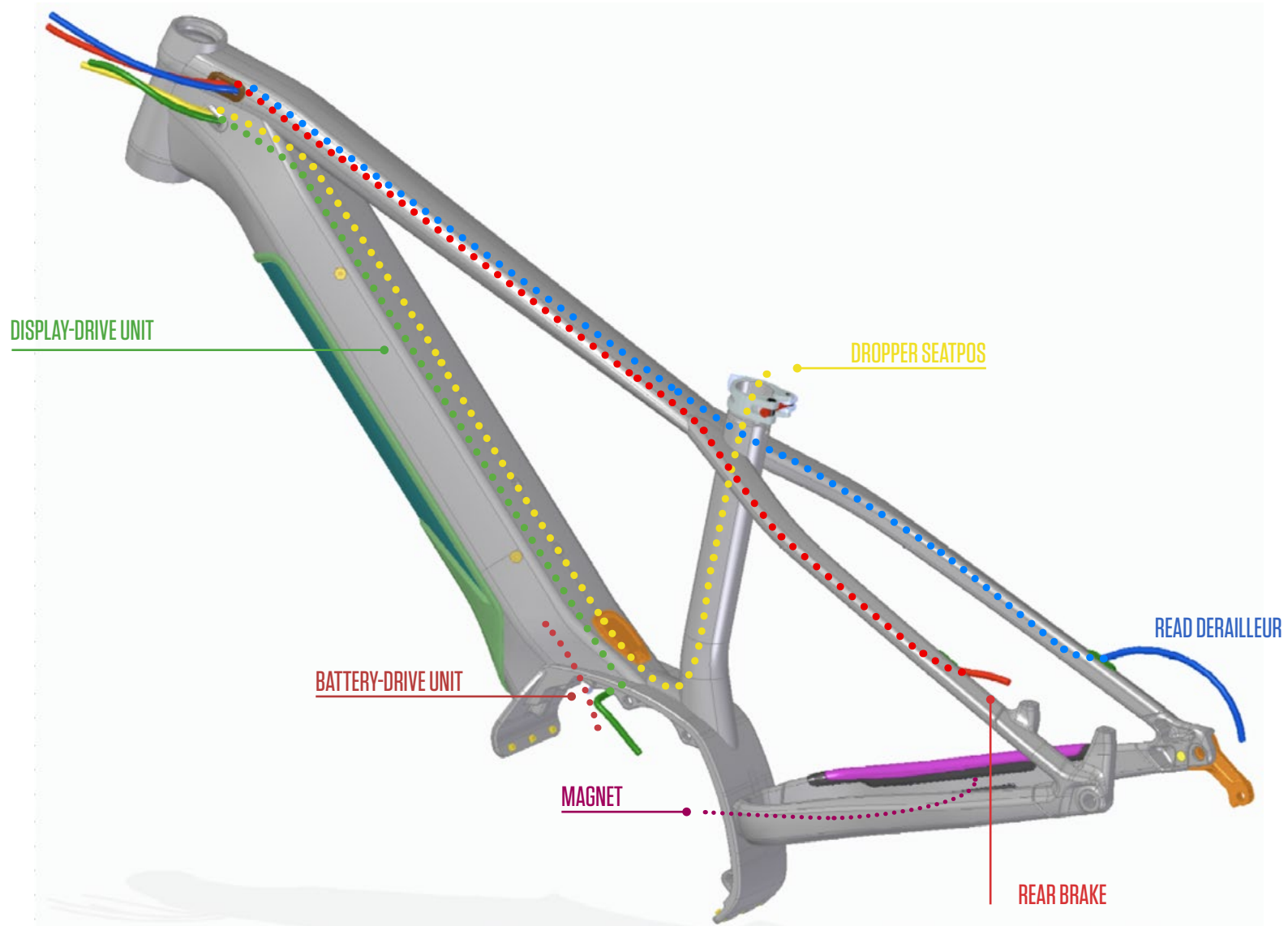


PARTS & HARDWARE

Nº	REFERENCE	DESCRIPTION
1	11001161	TAPON GOMA RANURA 30X10MM 18- PARA ESPESOR 3MM
2	11001163	TAPON GOMA RANURA 22X8MM 18- PARA ESPESOR 3MM
3	11000411	BOTON CERRADURA WILD HT BOSCH
4	12309051	TORNIL INOX M4X10 DIN7991
5	12310057	TUERCA INOX M4 DIN934
6	11000413	KIT SOP BATERIA WILD HT BOSCH
7	12300039	TORNILLO INOX M3X8 DIN933
8	12311560	TUERCA BLOCANTE INOX DIN985-M3
9	12301078	TORNIL INOX M5X8 ISO7380
10	11000414	PROTECTOR MOTOR WILD HT BOSCH
11	06060091	FUNDA ESPUMA DIAM INT 9MM Y DIAM EXT 15MM-400MM
12	11209913	TUERCA M8-10
13	11209912	TORNILLO M8X60
	11209911	PLETINA ANCLAJE MOTOR ACT+PERF
	11209914	TORNILLO M6X16
14	11209915	ANCLAJE PLATO ALU ACTIVE+PERFO
	11209916	JUNTA PLAST ANCLAJE PLAT-MOTOR
	11209917	ARANDELA BOSCH
15	11209918	SENSOR VELOCIDAD BOSCH
16	11209919	IMAN BOSCH
17	11001160	TAPON GOMA 2MM RANURA 22X8
18	11160850	ABR SIL C/R 34.9 DIGIT NEG

Nº	REFERENCE	DESCRIPTION
18	11160827	ABR SIL C/T 34.9 ALU NEG
	15430059	PATA CAMBIO DM LOKI 16
19	15430058	PATA CAMBIO LOKI 16
20	12309055	TORNIL INOX M4X15 DIN7991
21	11100055	EJE RDA TRA ORBEA 12X148
22	12320004	ARANDELA EJE 12MMM
23	11000410	PROT BASE WILD HT BOSCH 18
24	12309051	TORNILL INOX M4X10 ISO 7991
25	06060091	FUNDA ESPUMA DIAM INT 9MM Y DIAM EXT 15MM-300MM
26	11000412	TAPA BATERIA WILD HT BOSCH NEG
27	12301077	TORNIL INOX M5X12 ISO7380
28	12320058	ARANDELA INOX DIN125-M3
29	12320007	ARANDELA ALU INT5MM-EXT10MM-ESPESOR 2MM
30	12300044	TORNILLO INOX M3X12 DIN933
31	12301076	TORNILLO INOX M5X6

CABLE ROUTING



FRAME AND MATERIAL

Orbea frames are carefully designed to be durable, efficient, and easy to maintain. Wild tubes are stiff and light, giving excellent steering precision and pedaling efficiency. Wild carbon frame is extremely resistant to corrosion, making it perfect for road. With only a minimum amount of maintenance, it's easy to keep your Wild in top condition.

1) KEEP YOUR WILD CLEAN

Washing your bike with mild soap and water will keep you looking stylish and allow you to check the condition of the frame and components. Don't use high water pressure and avoid spraying water into bearings or frame tubes. Citrus degreasers are biodegradable and do a great job of removing dirty grease from gears and chain.

2) KEEP YOUR WILD LUBED

Once your bike is clean, it's a good time to put fresh lube on the chain. Use only enough to get inside the links and wipe off any excess because it will attract dirt. Headset and pivot bearings should be inspected every few months for smoothness and to ensure that the seals are intact and lube is clean.

3) INSPECT YOUR WILD BEFORE YOU RIDE

Do a quick check before every ride to make sure your bike is in excellent condition. It is very common to discover small issues at home that can become big problems on the trail. **CHAIN** Is the chain dirty, noisy or dry? Clean and lube your chain before riding. **BRAKES** Check your brakes to make sure they are working correctly. Check for missing/loose caliper and rotor bolts. **TIRES** Look for damage to the sidewalls of your tires. Check and adjust tire pressure. **WHEELS** Spin the wheels and look for wobbles, check for loose or broken spokes. Check quick release levers to make sure they are functioning properly. **FRONT END** Stand over the saddle, pull on the brakes and rock the bike back and forth. Feel for any play or knocking that might indicate a loose headset, loose brake rotors or calipers, or worn fork bushings.

TEST RIDE Take a quick ride up and down the street to make sure your bike is shifting and braking properly. Listen for unusual noises.

AFTER A CRASH OR IMPACT

Falling is part of riding and it's impossible to avoid minor accidents. If you crash your Wild, please make sure you are okay and seek medical attention if necessary. If you are not injured, you should check your bike before continuing:

1) Inspect your frame and components for damage. Do not ride your bike if any problems are detected.

WHAT TO LOOK FOR

Inspect Frame and fork for evidence of cracking or bending. If cracks are discovered, discontinue use immediately.

Check the drivetrain and spin the wheels to make sure components are operating correctly. If you discover damage to your components, discontinue use immediately.

Even if you don't find any damage, pay careful attention to the sound of your bike when you continue riding. Unusual noises can be caused by cracks or other problems. A well-maintained bike will be quiet and

free of creaks or squeaks. Investigate and locate the source of any new noises.

2) Bring your bike to your Orbea dealer for professional inspection. Some damage can only be detected by disassembling the bike to check for cracks or other signs of stress.

A crash or impact can put extraordinary stress on your bike and components, causing them to fail or to fatigue prematurely. Failure can happen suddenly with no warning, causing loss of control, serious injury or death.

ORBEA WARRANTY

HOW DO I ACTIVATE MY LIFETIME WARRANTY?

Orbea provides a lifetime warranty on all its frames. Only a brand that knows the materials, masters the technologies and has the skills can guarantee that your frame is totally invincible. Only Orbea takes you a step beyond.

Orbea's lifetime warranty is activated using the registration number you will find on all frames from the 2009 range onwards. When you have activated it at your dealer or at www.orbea.com, your bike will automatically receive its lifetime warranty. The registration number is a unique, non-transferable code that you will find on the underside of your bike's downtube. Activate your frame's warranty using this number at your dealer's or at www.orbea.com.

WHAT ARE THE ADVANTAGES?

- Lifetime guarantee of your frame against breakage.
- Two-year guarantee on all components.
- Identification of your bicycle and all its characteristics to our Technical Assistance Service so that we can provide our best response to any problems. Access to special offers, events and prize drawings.

ORBEA WARRANTY

The ongoing efforts we make at Orbea to design high-end bicycles enable us to provide customers with the following warranty:

- 1) We back each frame and rigid fork in our bicycles with a lifetime warranty against materials and manufacturing defects. Frames with travel longer than 170 mm are covered by a 2-year warranty. We warrant each frame and fork in our bikes against paint or varnish defects and corrosion for 3 years. This warranty covers the original purchaser only and is non-transferable. For the lifetime warranty to be valid, customers must fill in the online warranty form within one month of purchase, and proof of purchase in the form of cash register receipt or sales ticket is required.
- 2) Warranty claims are subject to the decision made by our technical staff about the nature of the defect after thorough inspection of the faulty part.
- 3) All the parts assembled in our bicycles are protected against assembly or manufacturing defects for 2 years, and repairs qualifying under this warranty will

be performed by authorized dealers in each country.
4) This warranty does not cover parts that naturally wear over time, such as tires, brake pads, handlebar grips, cranksets, bearings, etc.

5) This warranty does not cover damages or defects caused by negligence, improper use, assembly of parts or accessories that are not original, or defective repair or maintenance work of the bicycle, nonoriginal accessories being fitted to it, or unsuitable maintenance operations or handling.

6) This warranty includes only replacement or repair coverage of the parts under it and in no case shall it cover personal damages directly or indirectly caused by the failure of said parts during use.

7) All claims must be reported to an authorized dealer. In case there is no such a dealer near the buyer's location, please contact Orbea so that we can decide how to solve the problem.

8) In case of crashes, the Orbea warranty shall be considered null and void.

ADDITIONAL INFORMATION

ORBEA participates actively on facebook and Twitter with our fantastic global community of riders. Looking to find spots to ride or plan a vacation? Someone will have the answers:

FACEBOOK

www.facebook.com/OrbeaBicycles

TWITTER

www.twitter.com/Orbea/

YOUTUBE

Visit our Orbea Channel on You Tube for a variety of helpful setup and tech videos:

www.youtube.com/user/OrbeaBicycles

INSTAGRAM

www.instagram.com/orbeabicycles

ORBEA CONTENT

View and download photos, videos and documents.

content.orbea.com/us-en/

ORBEA UNIVERSITY

www.orbea.com/en-en/university/

BLOG ORBEA

www.orbea.com/en-en/blog/

YOUR ORBEA DEALER

Our dealers are experts and should be able to assist you with setting up and maintaining your Orbea bicycle. A complete listing of Orbea dealers and distributors can be located on our website:

www.orbea.com/us-en/dealers/?country=INT

AFTER SALES SERVICE

Our service technicians are trained to handle any questions you might have about your Orbea bicycle:

orbea@orbea.com

ORBEA