

ORBEA

**BLUE
PAPERS**

LAUFY
TECHNICAL MANUAL

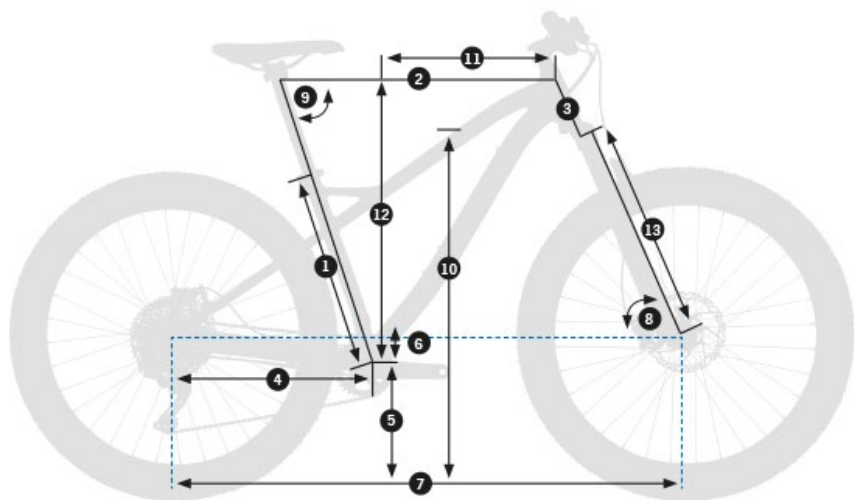
CONTENT

GEOMETRY	3
ERGONOMY	4
CHARACTERISTICS	5
OPTIONS	7
FRAME AND MATERIAL	10
PARTS & HARDWARE	11
CABLE ROUTING	20

LAUF EY

ORBEA

GEOMETRY



SIZES	15" - S	17 - M	18,5" - L	20,5" - XL	
1 - Seat tube (C-T)	381	432	470	520	
2 - Top tube (EFF)	570	599	621	647	
3 - Head tube	100	105	115	130	
4 - Chain stay	429,9	429,9	429,9	429,9	
5 - BB drop	60	60	60	60	
6 - BB height 29"	317,5	317,5	317,5	317,5	*
6 - BB height 27,5"	307,5	307,5	307,5	307,5	**
7 - Wheel base	1103	1131	1155	1183,5	
8 - Head angle	67°	67°	67°	67°	
9 - Seat angle	73°	73°	73°	73°	
10 - Fork offset	51	51	51	51	
11 - Standover height 29"	790,6	795,3	803,7	812,7	*
11 - Standover height 27,5"	780,6	785,3	793,7	802,7	**
12 - Reach	383,6	410,2	430	452,6	
13 - Stack	620,9	625,5	634,7	648,5	
14 - Fork length	531 (120 mm)	531 (120 mm)	531 (120 mm)	531 (120 mm)	

* Diametro exterior Ardet 2,4 – 755 mm.

** Diametro exterior Maxxis 3,0 – 735 mm

ERGONOMY



SIZE	CRANK	HANDLEBAR	STEM
S	170	760	50
M	170	760	50
L	170	760	50
XL	170	760	70

* The handlebar size is centre-centre.

HEIGHT (cm)	HEIGHT (in)	SIZE
150-165	4'11"-5'5"	S
160-175	5'3"-5'9"	M
170-185	5'7"-6'1"	L
180-198	5'11"-6'6"	XL

* Estimated measurements.

CHARACTERISTICS

DIRECTION	1" 1/8 - 1" 1/2
BB	BSA 73 MM
FRONT DERAILLEUR	DIRECT MOUNT
FRONT DERAILLEUR TP/DP	SIDESWING ONLY
FD ANGLE	63° ----- ????????
SEAT POST DIAMETER	31,6
SEAT CLAMP	34,8
DROPOUT	DIAM 12 X 148MM
CHAINSTAY PROTECTOR	PENDING NEW PROTECTOR. FOR FIRST SAMPLES TRANSPARENT PLASTIC – 11000298
OTHER PROTECTORS	NO
CABLE TYPE	FULL HOUSING
REAR HUB LENGHT	148 MM

CHARACTERISTICS

	27,5" PLUS	29"
BB	73 MM BSC	73 MM BSC
ISCG	ISCG 05	ISCG 05
FORK	120 MM	120 MM
SEATPOST	31,6 MM	31,6 MM
SEAT CLAMP	34,9 MM	34,9 MM
FRONT DERAILLEUR	DIRECT MOUNT SIDE SWING ONLY, REMOVABLE MOUNT	
HEAD TUBE	TAPERED 1,125"-1,5" INTEGRATED. SPECS; FSA NO.42/ACB-A	
REAR AXLE STANDARD	BOOST 148MM	BOOST 148MM
MAX TIRE SIZE	3.0	2.4
CRANKSET	168MM Q FACTOR COMPATIBLE	
CHAINRINGS	2X; 24-38T MAX	
	1X; 32T	

* Tire size varies by brand, some may not fit.

OPTIONS

BRAKE	V-BRAKE	NO
	DISC BRAKE	YES
	REAR BRAKE IS/PM+DIAMETER DISC	PM 160 DIRECT, 180 WITH ADAPTOR
	CALIPER BRAKE	NO
LUGGAGE	BAG OPTION IN TOP TUBE	NO
	BOTTLE CAGE	YES
	OPTION AERO AND STANDARD BOTTLE	NO
	REAR LUGGAGE OPTION	NO
	MUDGUARD OPTION	NO
	KICKSTAND	NO
GEARS	11 SPEED	YES
	DOUBLE CRANK	YES
	COMPACT CRANK (34X50T) (ROAD)	-
	TRIPLE CRANK	YES
	OXYMETRIC	-

OPTIONS

Groupsets

BTT	
SHIMANO	
XTR (10)	YES
SAINT (9)	-
DEORE XT (9/10)	YES
SLX (9/10)	YES
ZEE (10)	-
HONE (9)	-
DEORE LX (8/9)	YES
DEORE (9/10)	YES
ALIVIO (8/9)	YES
ACERA (8)	YES
ALTUS (8)	YES
TOURNEY (8)	-
SRAM	
XX1 (11)	YES (EXCEPT 36 OR BIGGER CHAINWHEEL)
XX (10)	YES
X0 (10)	YES
X9 (10)	YES
X7 (10)	YES
X5 (9/10)	YES
X4 (8/9)	YES
X3 (7)	YES

OPTIONS

WHEELS	SIZE	29" AND 27,5"
TYRES	MAXIMUM SIZE	DIAMETRO EXTERIOR 755MM- ARDET 2,4 → 27,5"
		DIAMETRO EXTERIOR 735MM- MAXXIS 3,0 → 29"
CABLE ROUTING	MECHANICAL SYSTEM (W/INTERNAL CABLE ROUTING)	YES
	ELECTRONIC Di2 SYSTEM (W/INTERNAL CABLE ROUTING)	NO
	EXTERNAL SHIMANO BATTERY (IN LEFT CHAINSTAY)	NO
	CAMPAGNOLO EPS	NO COMPATIBLE
POWER METERS	SRM	NO
	POWER2MAX	NO
	STAGES	NO
	PIONEER	NO
	ROTOR POWER	NO
	QUARQ	NO
	GARMIN VECTOR	NO
	LOOK AND POLAR	NO
POWERTAP	NO	
OTHERS	U.C.I. LEGAL	-

FRAME AND MATERIAL

Orbea frames are carefully designed to be durable, efficient, and easy to maintain. Laufhey tubes are stiff and light, giving excellent steering precision and pedaling efficiency. Laufhey carbon frame is extremely resistant to corrosion, making it perfect for road. With only a minimum amount of maintenance, it's easy to keep your Laufhey in top condition.

1) Keep your Laufhey clean

Washing your bike with mild soap and water will keep you looking stylish and allow you to check the condition of the frame and components. Don't use high water pressure and avoid spraying water into bearings or frame tubes. Citrus degreasers are biodegradable and do a great job of removing dirty grease from gears and chain.

2) Keep your Laufhey lubed

Once your bike is clean, it's a good time to put fresh lube on the chain. Use only enough to get inside the links and wipe off any excess because it will attract dirt. Headset and pivot bearings should be inspected every few months for smoothness and to ensure that the seals are intact and lube is clean.

3) Inspect your Laufhey before you ride

Do a quick check before every ride to make sure your bike is in excellent condition. It is very common to discover small issues at home that can become big problems on the trail. **CHAIN** Is the chain dirty, noisy or dry? Clean and lube your chain before riding. **BRAKES** Check your brakes to make sure they are working correctly. Check for missing/loose caliper and rotor bolts. **TIRES** Look for damage to the sidewalls of your tires. Check and adjust tire pressure. **WHEELS** Spin the wheels and look for wobbles, check for loose or broken spokes. Check quick release levers to make sure they are functioning properly. **FRONT END** Stand over the saddle, pull on the brakes and rock the bike back and forth. Feel for any play or knocking that might indicate a loose headset, loose brake rotors or calipers, or worn fork bushings.

TEST RIDE Take a quick ride up and down the street to make sure your bike is shifting and braking properly. Listen for unusual noises.

AFTER A CRASH OR IMPACT

Falling is part of riding and it's impossible to avoid minor accidents. If you crash your Loki, please make sure you are okay and seek medical attention if necessary. If you are not injured, you should check your bike before continuing:

1) Inspect your frame and components for damage. Do not ride your bike if any problems are detected.

WHAT TO LOOK FOR

Inspect Frame and fork for evidence of cracking or bending. If cracks are discovered, discontinue use immediately.

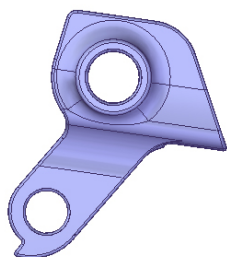
Check the drivetrain and spin the wheels to make sure components are operating correctly. If you discover damage to your components, discontinue use immediately.

Even if you don't find any damage, pay careful attention to the sound of your bike when you continue riding. Unusual noises can be caused by cracks or other problems. A well-maintained bike will be quiet and free of creaks or squeaks. Investigate and locate the source of any new noises.

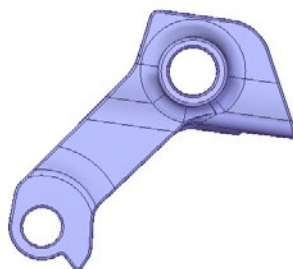
2) Bring your bike to your Orbea dealer for professional inspection. Some damage can only be detected by disassembling the bike to check for cracks or other signs of stress.

A crash or impact can put extraordinary stress on your bike and components, causing them to fail or to fatigue prematurely. Failure can happen suddenly with no warning, causing loss of control, serious injury or death.

PARTS & HARDWARE



SRAM -CNC-
SRA-X099 15430058



SHIMANO -Forge - SRA-X101
Direct Mount 15430059



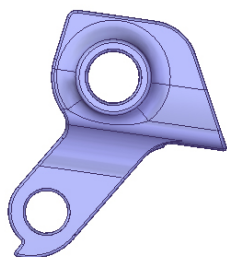
11100055



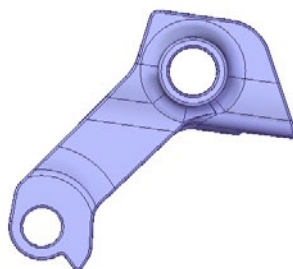
ASSAMBLE IN THE BIKE

FD clamp
Rear hanger – [SRA-Z320R]
Bottle rivet screws

PIEZAS Y COMPONENTES



SRAM -CNC-
SRA-X099 15430058



SHIMANO -Forge - SRA-X101
Direct Mount 15430059



11100055

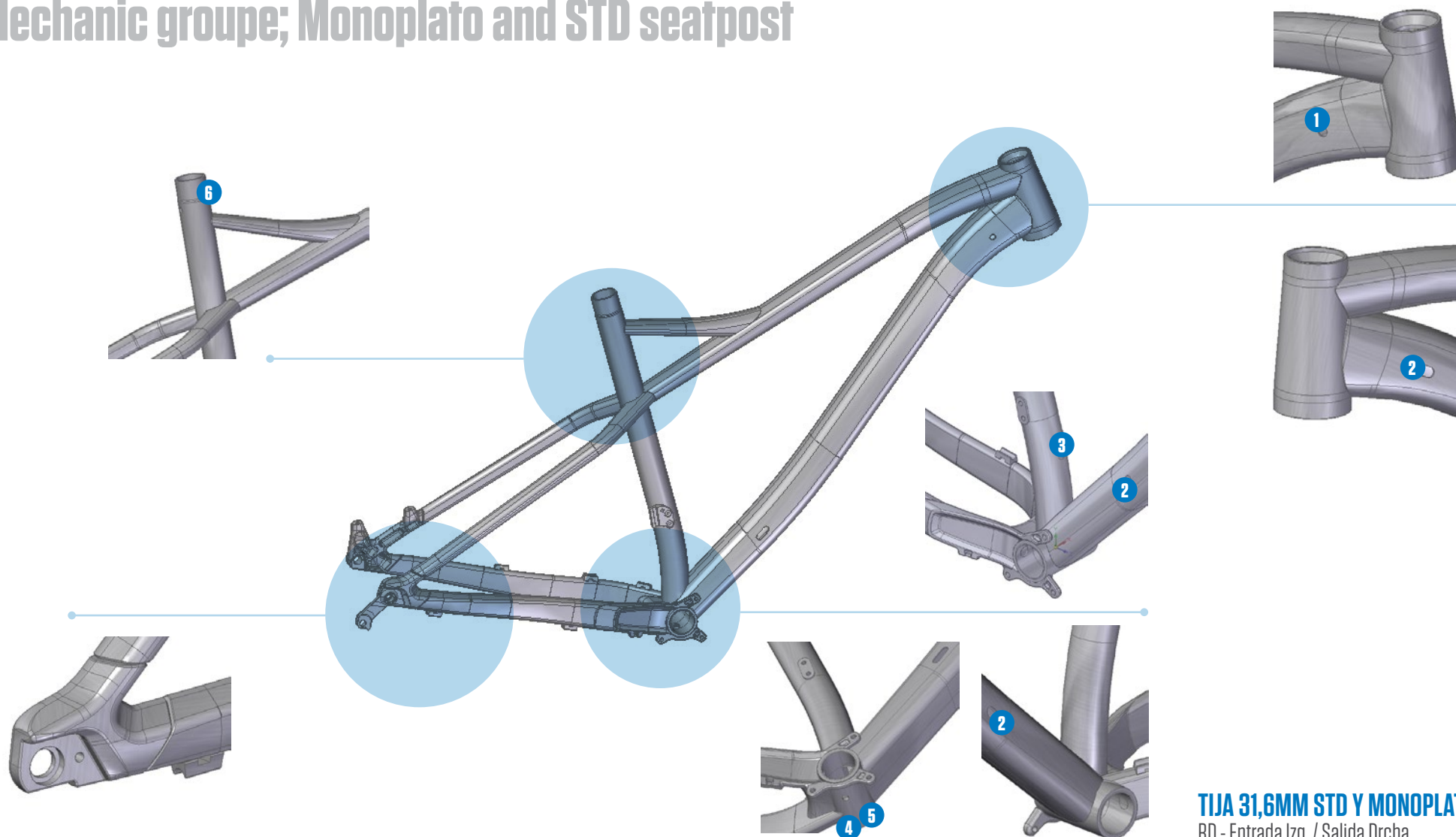


ASSAMBLE IN THE BIKE

FD clamp
Rear hanger - [SRA-Z320R]
Bottle rivet screws

PARTS & HARDWARE

Mechanic groupe; Monoplato and STD seatpost



TIJA 31,6MM STD Y MONOPLATO
 RD - Entrada Izq / Salida Drcha
 Fund. Disc - Entrada Izq / Salida Izq

PARTS & HARDWARE

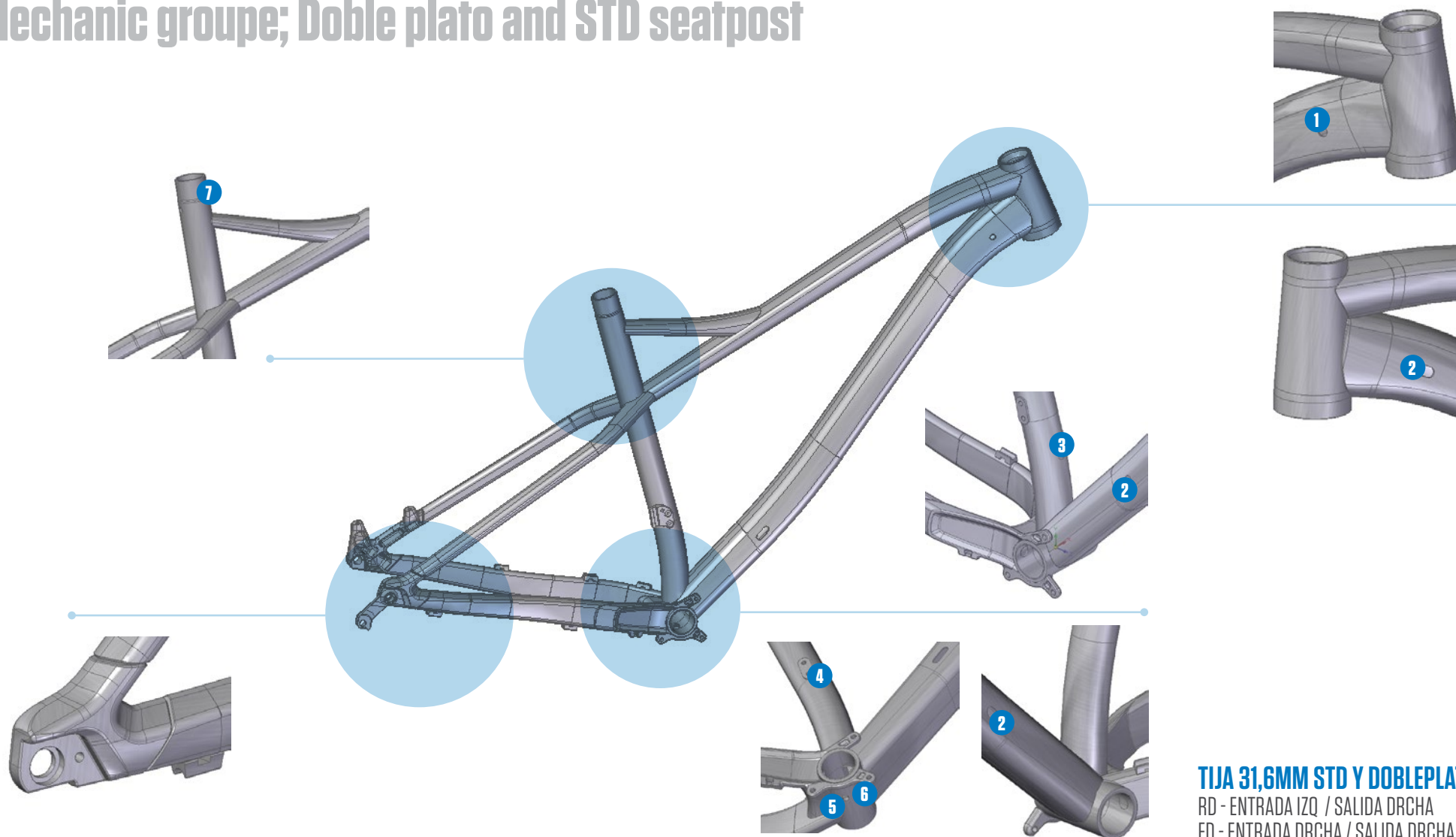
Mechanic groupe; Monoplato and STD seatpost



PART NUMBER	ORBEA REFERENCE	ORBEA DESCRIPTION
1	16100113	TAPON D8 ORCA 14
2	16100125	TAPON C/AGUJERO 22X8 AVANT 14
3	11389150	TAPON PLAST 5MM S/AGUJ
4	11001176	GUIA ABRAZ CAMBIO/FRENO
5	12306022	TORNILLO INOX 5X10 ISO 7380
6	11160817	ABR C/R 34,9ALU PRO
7	11069032	TAPON ROSCA M5

PARTS & HARDWARE

Mechanic groupe; Doble plato and STD seatpost

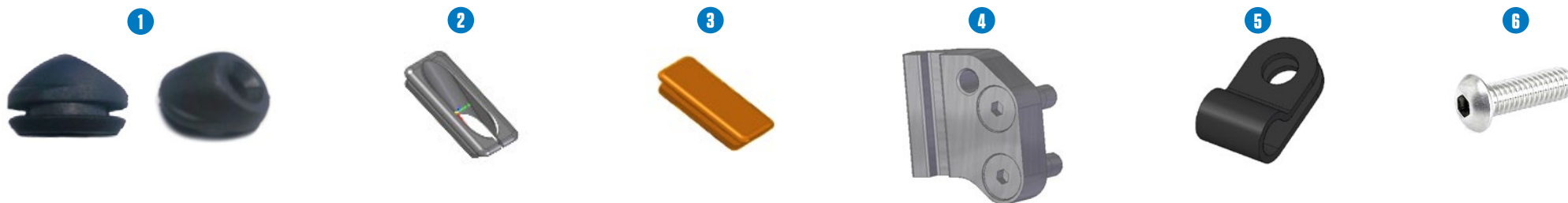


TIJA 31,6MM STD Y DOBLEPLATO

RD - ENTRADA IZQ / SALIDA DRCHA
 FD - ENTRADA DRCHA / SALIDA DRCHA
 FUND. DISC - ENTRADA IZQ / SALIDA IZQ

PARTS & HARDWARE

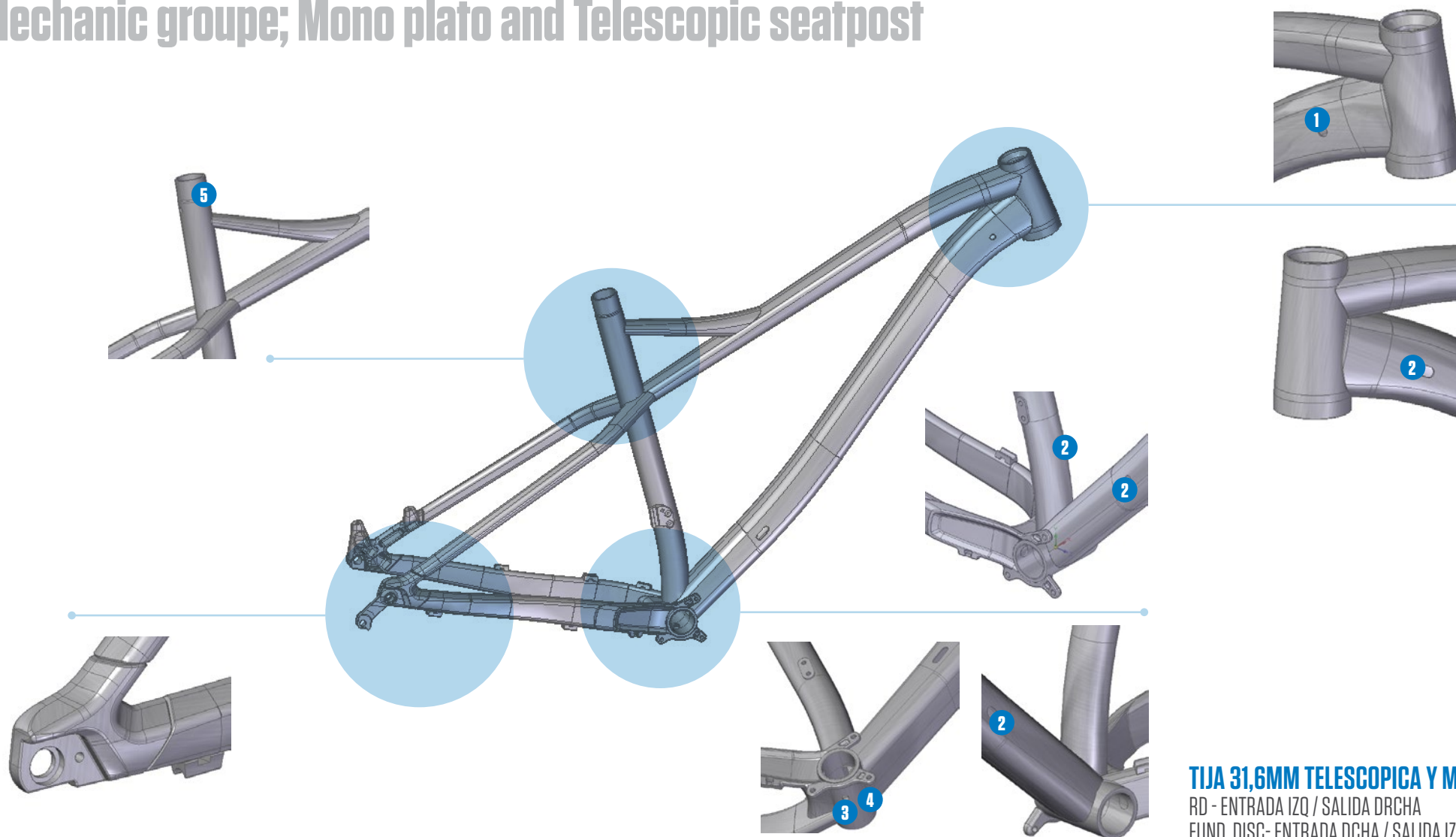
Mechanic groupe; Doble plato and STD seatpost



PART NUMBER	ORBEA REFERENCE	ORBEA DESCRIPTION
1	11001149	8 MM HOLE CAP FOR 4 MM CABLE
2	16100125	TAPON C/AGUJERO 22X8 AVANT 14
3	11389150	TAPON PLAST 5MM S/AGUJ
4	11200026	CHAPILLA DESVIADOR DIRECT MOUNT LOKI 16
5	11001176	GUIA ABRAZ CAMBIO/FRENO
6	12306022	TORNILLO INOX 5X10 ISO 7380
7	11160817	ABR C/R 34,9ALU PRO

PARTS & HARDWARE

Mechanic groupe; Mono plato and Telescopic seatpost



TIJA 31,6MM TELESCOPICA Y MONOPLATO

RD - ENTRADA IZQ / SALIDA DRCHA
 FUND. DISC- ENTRADA DCHA / SALIDA IZQ
 TIJA PIJA - ENTRADA IZQ / SALIDA IZQ

PARTS & HARDWARE

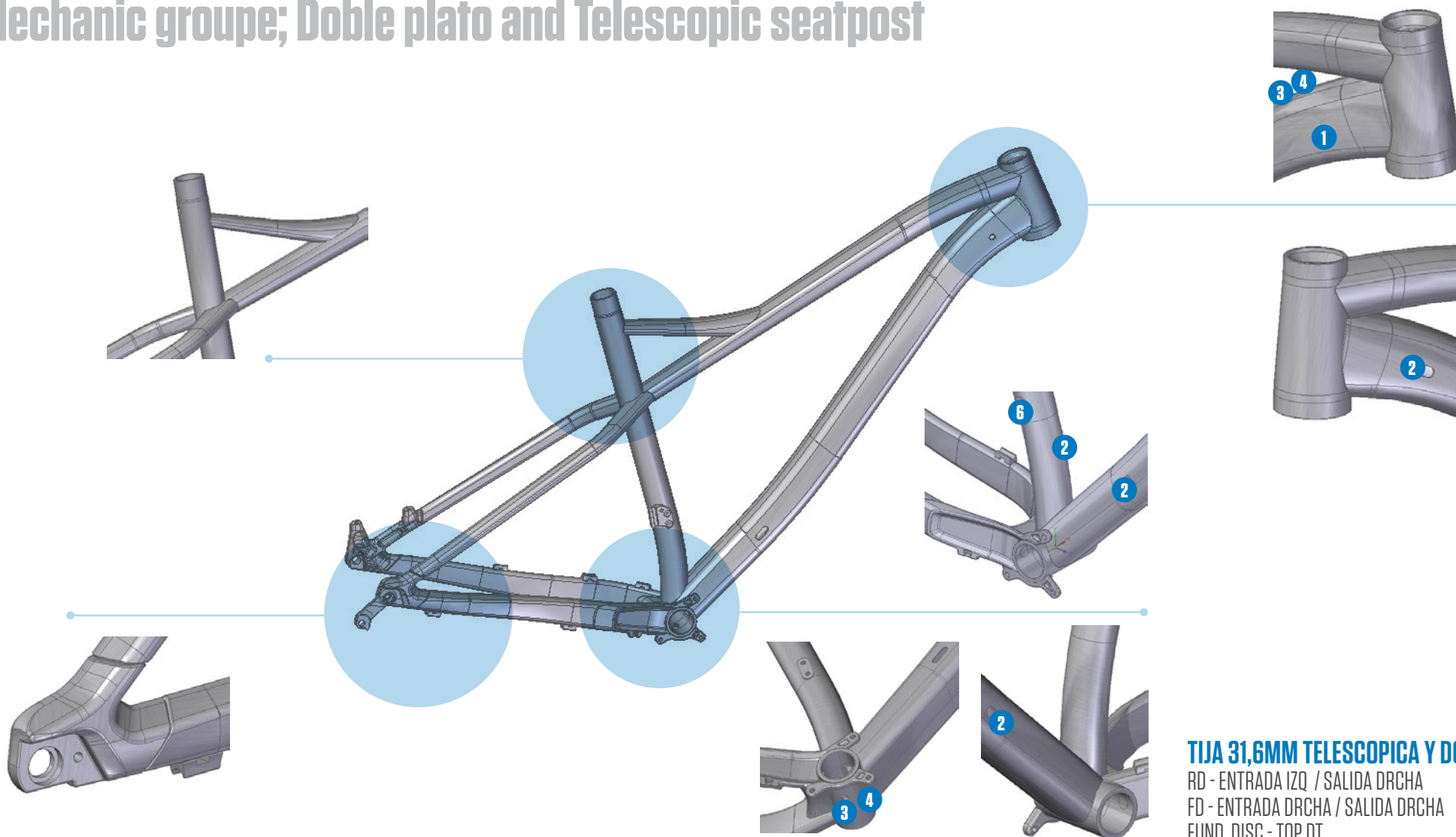
Mechanic groupe; Mono plato and Telescopic seatpost



PART NUMBER	ORBEA REFERENCE	ORBEA DESCRIPTION
1	16100113	TAPON D8 ORCA 14
2	16100125	TAPON C/AGUJERO 22X8 AVANT 14
3	11001176	GUIA ABRAZ CAMBIO/FRENO
4	12306022	TORNILLO INOX 5X10 ISO 7380
5	11160817	ABR C/R 34,9ALU PRO
6	11389150	TAPON PLAST 5MM S/AGUJ
7	11069032	TAPON ROSCA M5

PARTS & HARDWARE

Mechanic groupe; Doble plato and Telescopic seatpost

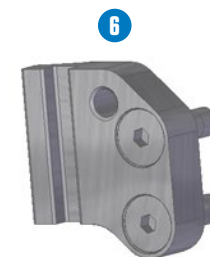
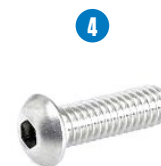


TIJA 31,6MM TELESCOPICA Y DOBLEPLATO

RD - ENTRADA IZQ / SALIDA DRCHA
 FD - ENTRADA DRCHA / SALIDA DRCHA
 FUND. DISC - TOP DT
 TIJA PIJA - ENTRADA IZQ / SALIDA IZQ

PARTS & HARDWARE

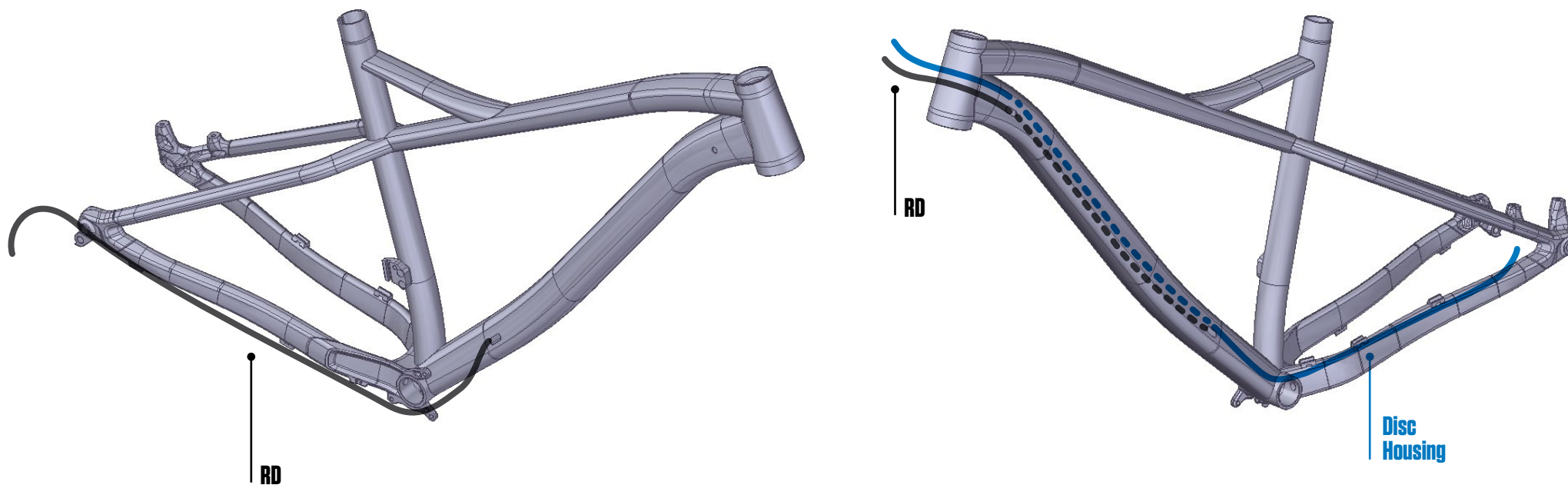
Mechanic groupe; Doble plato and Telescopic seatpost



PART NUMBER	ORBEA REFERENCE	ORBEA DESCRIPTION
1	16100113	TAPON D8 ORCA 14
2	16100125	TAPON C/AGUJERO 22X8 AVANT 14
3	11001176	GUIA ABRAZ CAMBIO/FRENO
4	12306022	TORNILLO INOX 5X10 ISO 7380
5	11160817	ABR C/R 34,9ALU PRO
6	11200026	CHAPILLA DESVIADOR DIRECT MOUNT LOKI 16

CABLE ROUTING

Mechanic groupe; Monoplato and STD seatpost 31,6mm

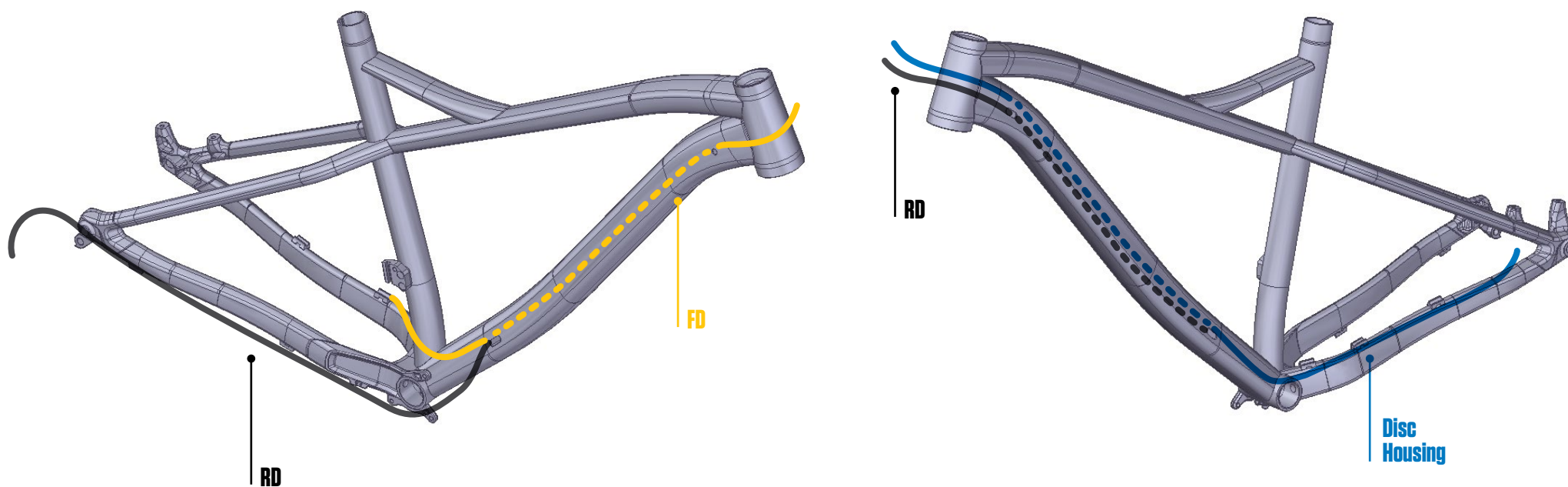


TIJA 31,6MM STD Y MONOPLATO

RD - ENTRADA IZQ / SALIDA DRCHA
FUND. DISC - ENTRADA IZQ / SALIDA IZQ

CABLE ROUTING

Mechanic groupe; Doble plato and STD seatpost 31,6mm

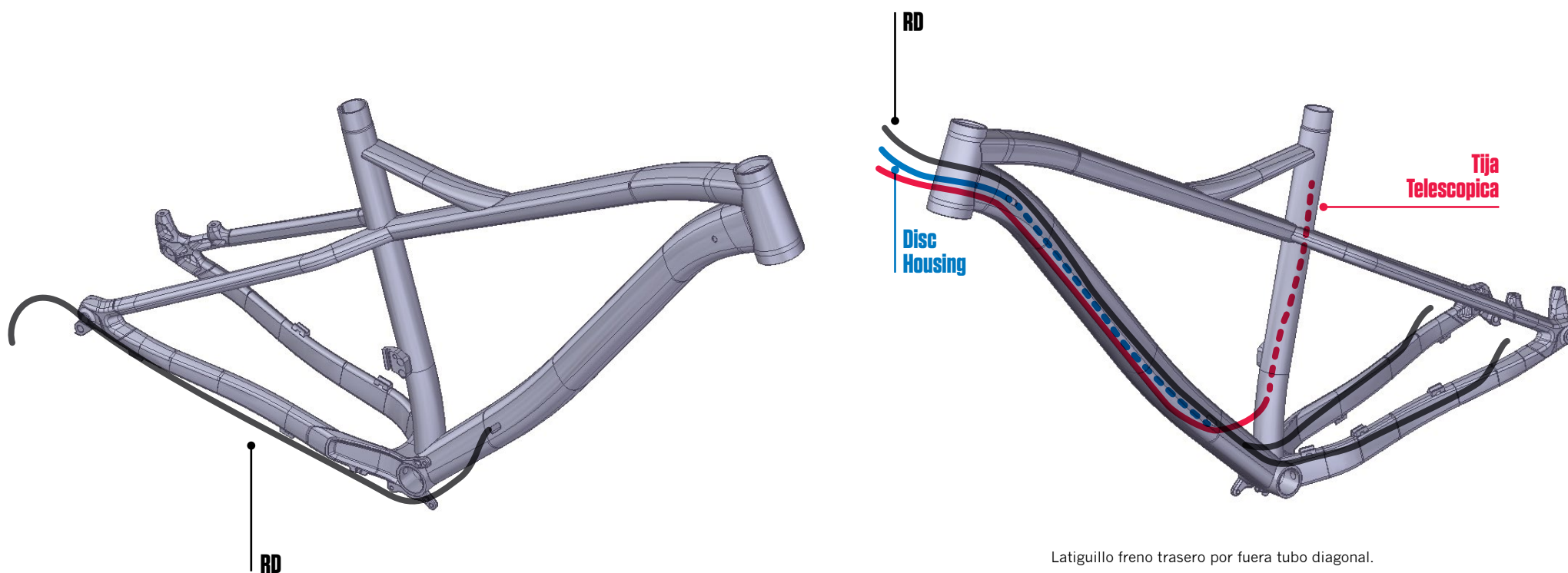


TIJA 31,6MM STD Y DOBLEPLATO

RD - ENTRADA IZQ / SALIDA DRCHA
FD - ENTRADA DRCHA / SALIDA DRCHA
FUND. DISC - ENTRADA IZQ / SALIDA IZQ

CABLE ROUTING

Mechanic groupe; Mono plato and Telescopic seatpost



TIJA 31,6MM TELESCOPICA Y MONOPLATO

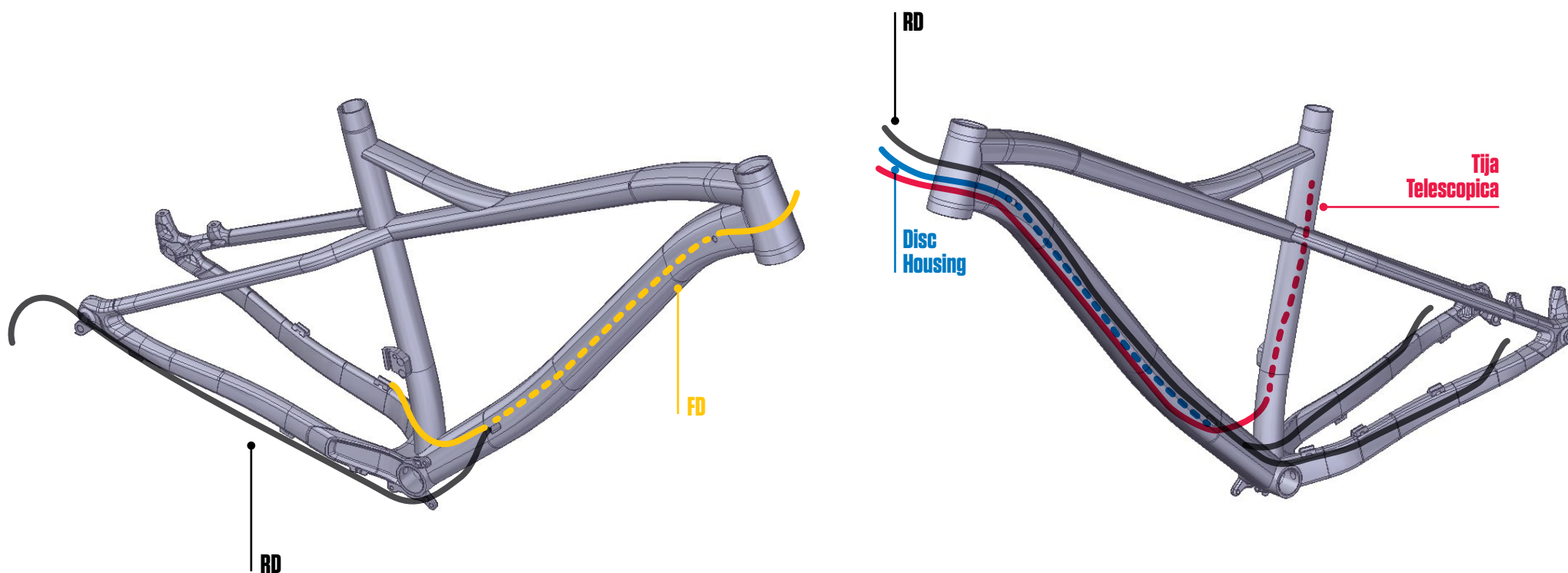
RD - ENTRADA IZQ / SALIDA DRCHA

FUND. DISC - EXTERNA TUBO DIAGONAL

TIJA TELESCOPICA - ENTRADA IZQ / SALIDA IZQ

CABLE ROUTING

Mechanic groupe; Doble plato and Telescopic seatpost



TIJA 31,6MM TELESCOPICA Y DOBLEPLATO

RD - ENTRADA IZQ / SALIDA DRCHA
 FD - ENTRADA DRCHA / SALIDA DRCHA
 FUND. DISC - TOP DT
 TIJA PIJA - ENTRADA IZQ / SALIDA IZQ

ORBEA WARRANTY

HOW DO I ACTIVATE MY LIFETIME WARRANTY?

Orbea provides a lifetime warranty on all its frames. Only a brand that knows the materials, masters the technologies and has the skills can guarantee that your frame is totally invincible. Only Orbea takes you a step beyond.

Orbea's lifetime warranty is activated using the registration number you will find on all frames from the 2009 range onwards. When you have activated it at your dealer or at www.orbea.com, your bike will automatically receive its lifetime warranty. The registration number is a unique, non-transferable code that you will find on the underside of your bike's downtube. Activate your frame's warranty using this number at your dealer's or at www.orbea.com.

WHAT ARE THE ADVANTAGES?

- Lifetime guarantee of your frame against breakage.
- Two-year guarantee on all components.
- Identification of your bicycle and all its characteristics to our Technical Assistance Service so that we can provide our best response to any problems. Access to special offers, events and prize drawings.

ORBEA WARRANTY

The ongoing efforts we make at Orbea to design high-end bicycles enable us to provide customers with the following warranty:

- 1) We back each frame and rigid fork in our bicycles with a lifetime warranty against materials and manufacturing defects. Frames with travel longer than 170 mm are covered by a 2-year warranty. We warrant each frame and fork in our bikes against paint or varnish defects and corrosion for 3 years. This warranty covers the original purchaser only and is non-transferable. For the lifetime warranty to be valid, customers must fill in the online warranty form within one month of purchase, and proof of purchase in the form of cash register receipt or sales ticket is required.
- 2) Warranty claims are subject to the decision made by our technical staff about the nature of the defect after thorough inspection of the faulty part.
- 3) All the parts assembled in our bicycles are protected against assembly or manufacturing defects for 2 years, and repairs qualifying under this warranty will be performed by authorized dealers in each country.

4) This warranty does not cover parts that naturally wear over time, such as tires, brake pads, handlebar grips, cranksets, bearings, etc.

5) This warranty does not cover damages or defects caused by negligence, improper use, assembly of parts or accessories that are not original, or defective repair or maintenance work. of the bicycle, nonoriginal accessories being fitted to it, or unsuitable maintenance operations or handling.

6) This warranty includes only replacement or repair coverage of the parts under it and in no case shall it cover personal damages directly or indirectly caused by the failure of said parts during use.

7) All claims must be reported to an authorized dealer. In case there is no such a dealer near the buyer's location, please contact Orbea so that we can decide how to solve the problem.

8) In case of crashes, the Orbea warranty shall be considered null and void.

ADDITIONAL INFORMATION

ORBEA participates actively on facebook and Twitter with our fantastic global community of riders. Looking to find spots to ride or plan a vacation? Someone will have the answers:

FACEBOOK

www.facebook.com/OrbeaBicycles

TWITTER

www.twitter.com/Orbea/

YOUTUBE

Visit our Orbea Channel on You Tube for a variety of helpful setup and tech videos:

www.youtube.com/user/OrbeaBicycles

INSTAGRAM

www.instagram.com/orbeabicycles

ORBEA CONTENT

View and download photos, videos and documents.

content.orbea.com/us-en/

ORBEA UNIVERSITY

www.orbea.com/es-es/university/

BLOG ORBEA

www.orbea.com/es-es/blog/

YOUR ORBEA DEALER

Our dealers are experts and should be able to assist you with setting up and maintaining your Orbea bicycle. A complete listing of Orbea dealers and distributors can be located on our website:

www.orbea.com/us-en/dealers/?country=INT

AFTER SALES SERVICE

Our service technicians are trained to handle any questions you might have about your Orbea bicycle:

<mailto:orbea@orbea.com>

ORBEA